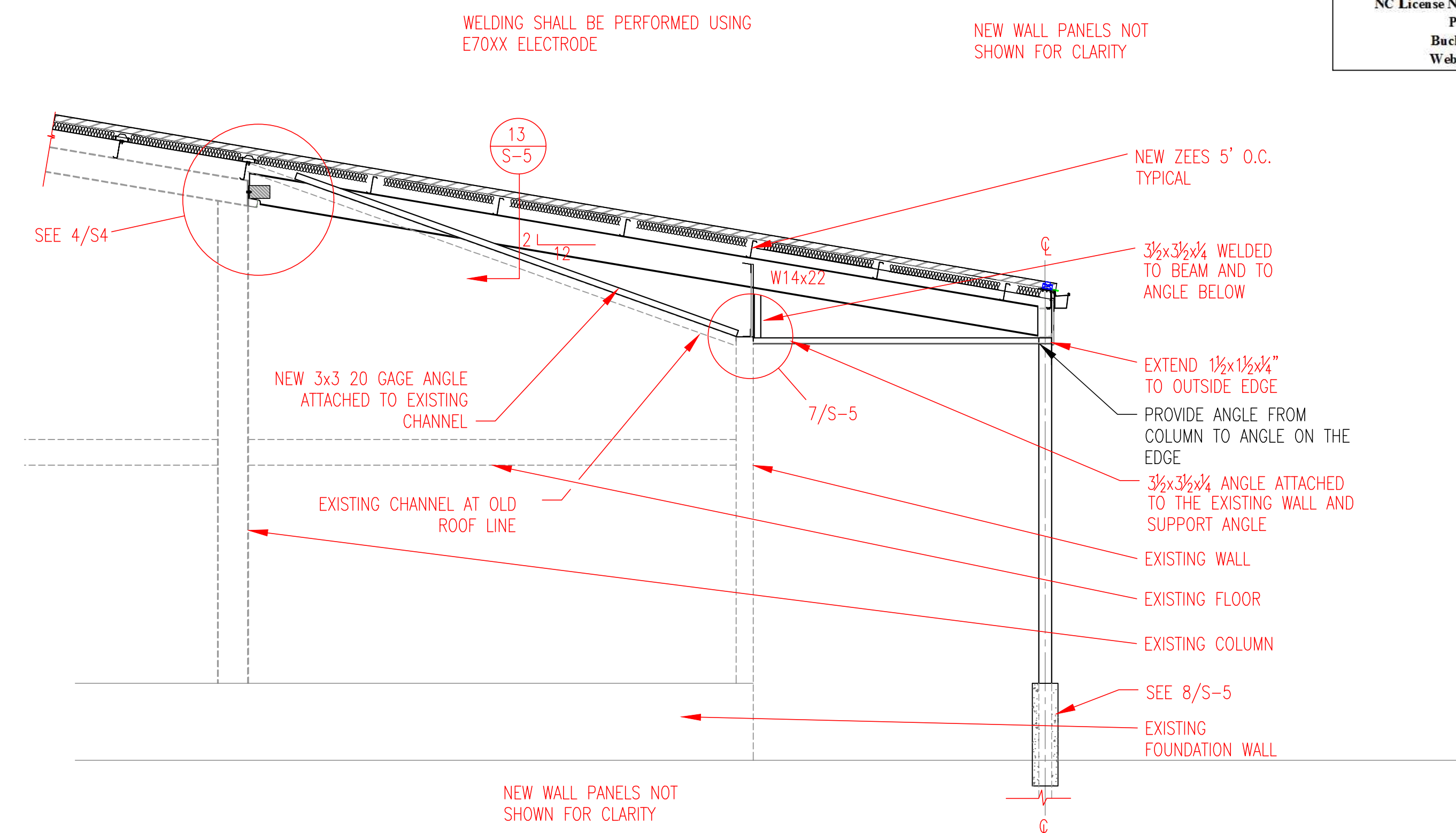
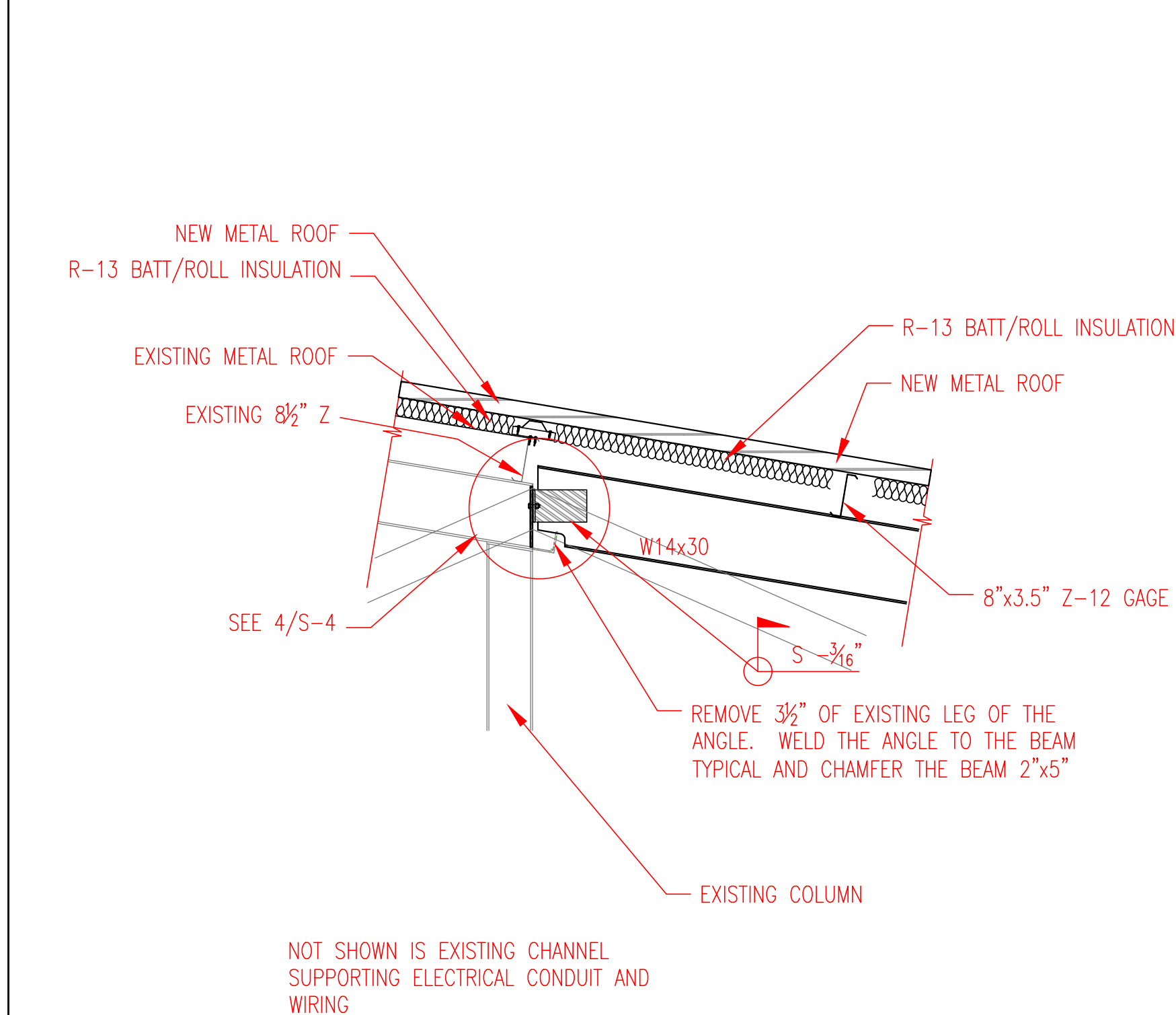


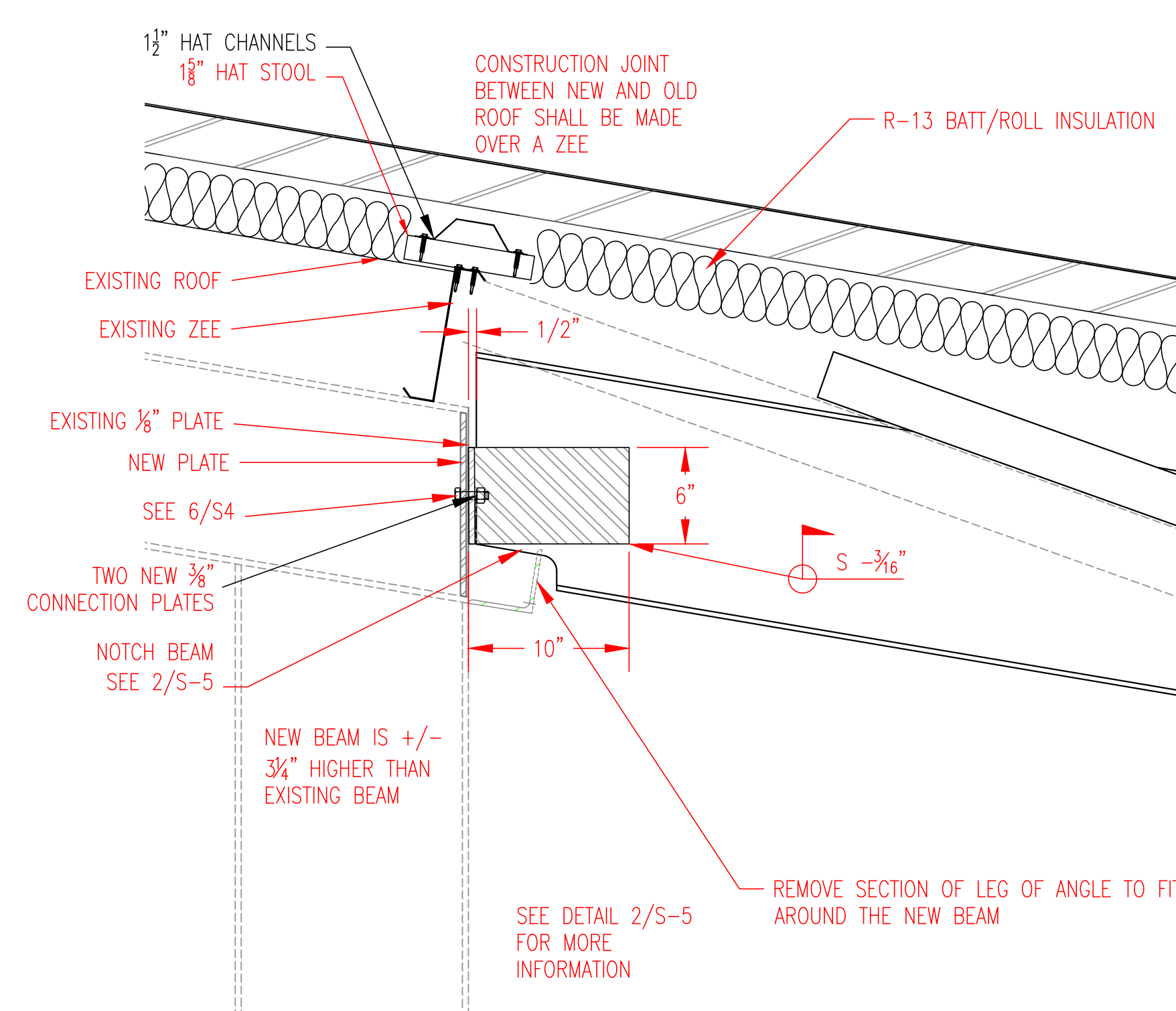
1
S-4
ELEVATION AT COLUMNS LINE C - 13 & 12
 SCALE 1/2"=1'-0"



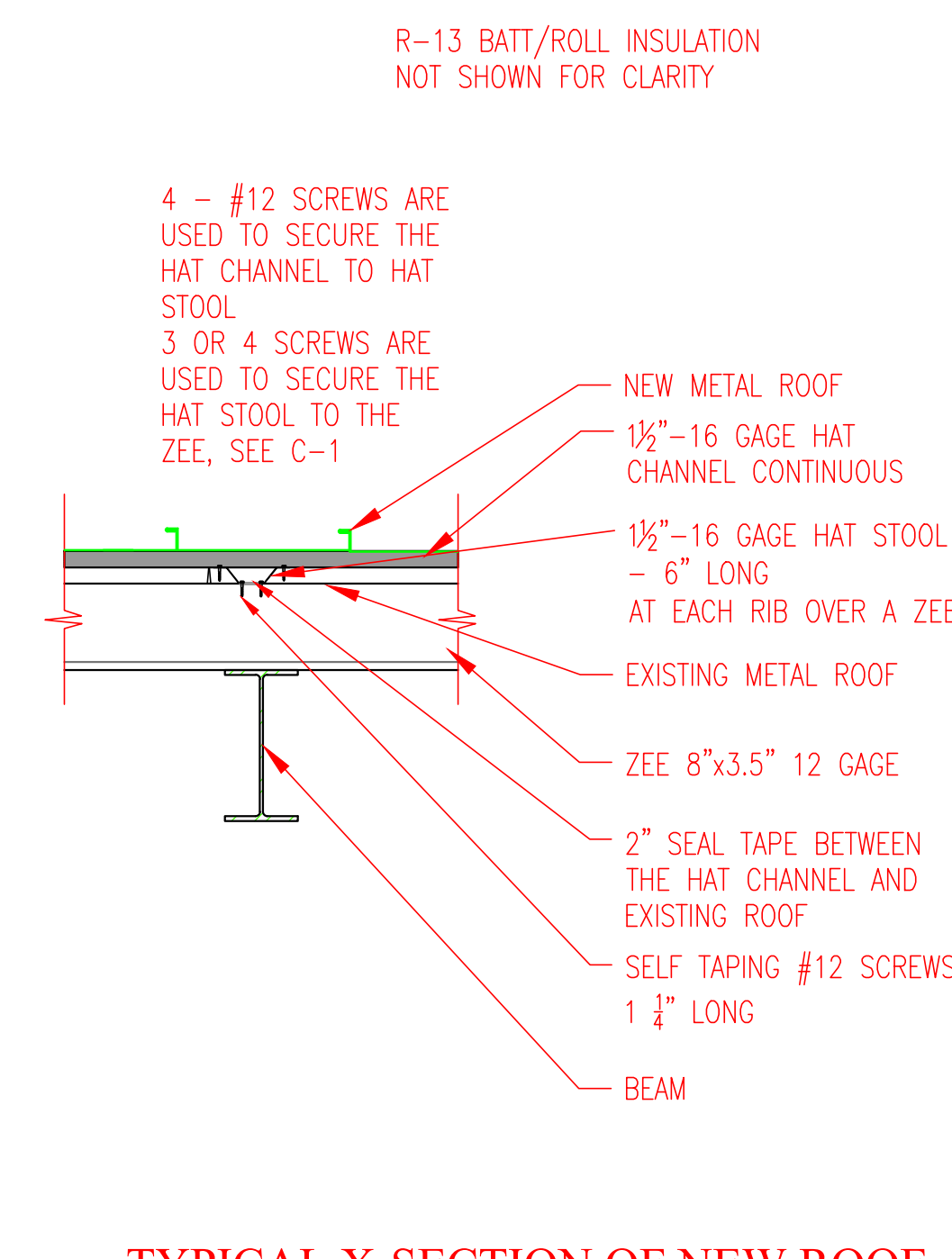
2
S-4
ELEVATION AT COLUMNS LINE G - 12
 SCALE 1/4"=1'-0"



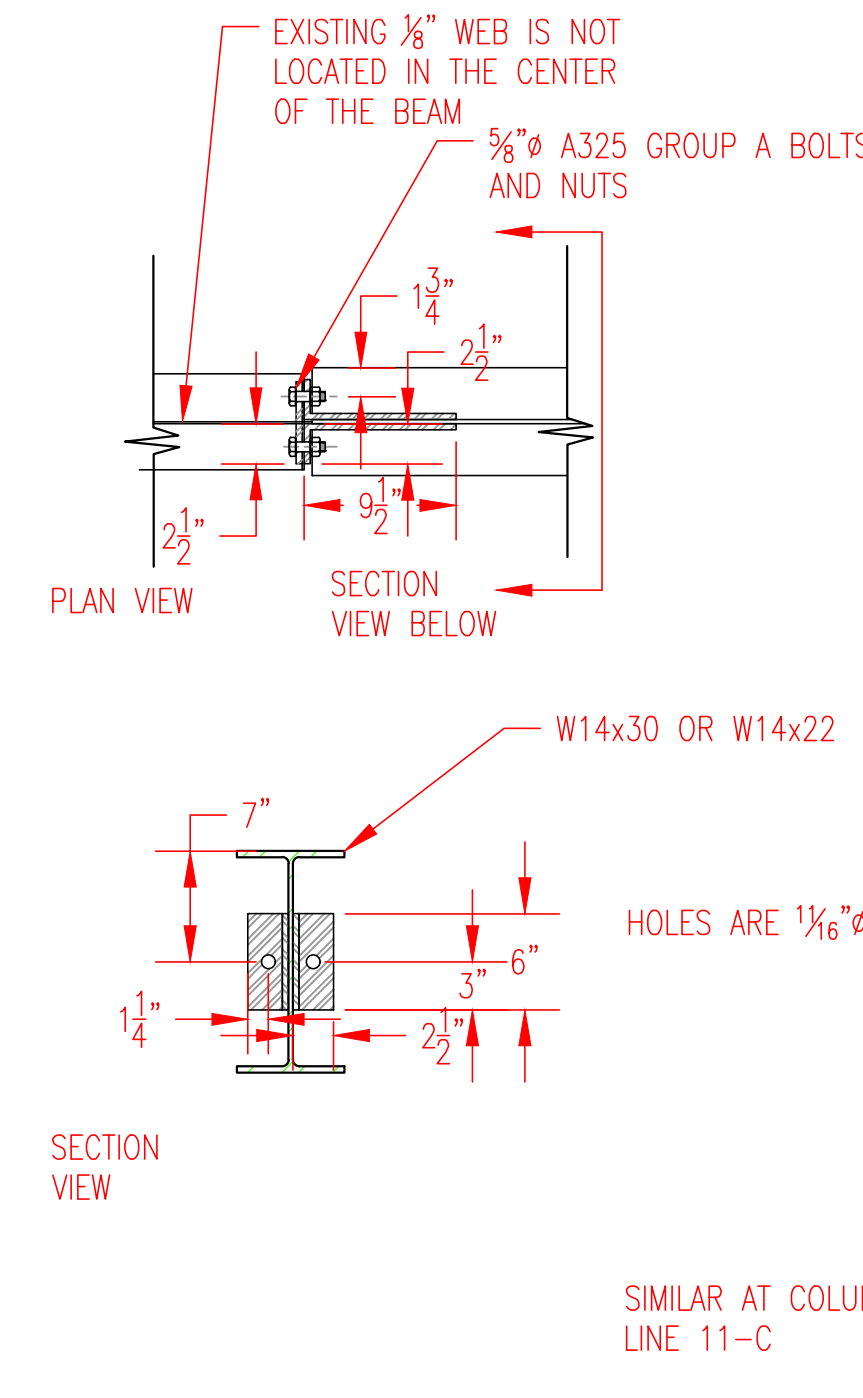
3
S-4
CONNECTION AT COLUMNS LINE 10; D-G
 SCALE 1/2"=1'-0"



4
S-4
TYPICAL CONNECTION
 SCALE 1 1/2"=1'-0"



5
S-4
TYPICAL X-SECTION OF NEW ROOF OVER LAY OLD ROOF
 SCALE 3/4"=1'-0"



6
S-4
CONNECTION AT COLUMN LINE 10
 SCALE 1"=1'-0"

1-2017 CABLES REMOVE THE METAL DECK AND ADD STEEL CABLES IN IT'S PLACE AND CHANGE THE DETAILS TO MATCH ADDING THE CABLES.

Nelson Hall and Associates, Inc.
 Roof Consulting Services
 1001 Lancaster Ave.
 Monroe, NC 28112



JAARS, INC.
 PO BOX 248
 WAXHAW, NC

JAARS ROOF OVERLAY and ROOF EXTENSION
 7620 Jaars Road, WAXHAW, NC

MARK	DATE	DESCRIPTION
1	1-2017	CABLES

PROJECT NO: ----
 CAD DWG FILE: HANGER DRAWING.DWG
 DRAWN BY: DOUGLAS BUCHANAN, PE
 CHK'D BY: DOUGLAS BUCHANAN, PE
 DATE: 11-4-2016
 COPYRIGHT:
 SHEET TITLE:

DETAILS